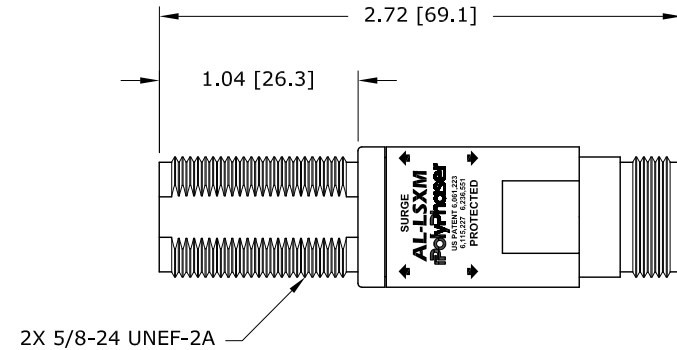
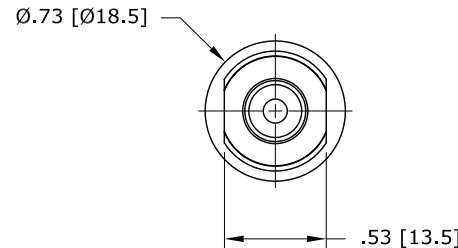
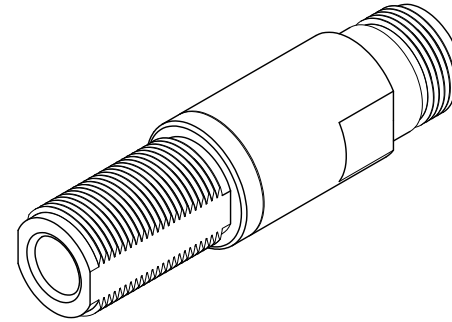


ALL DESIGN, OPERATIVE AND PROCESS DATA PERTAINING TO THE ARTICLE SHOWN ON THIS SHEET IS THE PROPERTY OF POLYPHASER CORPORATION. THE INFORMATION IS NOT TO BE COPIED, REPRODUCED, REVEALED TO OR APPROPRIATED BY OTHERS WITHOUT THE EXPRESS WRITTEN CONSENT OF POLYPHASER CORPORATION.

These commodities or technology are exported from the U.S. in accordance with the Export Administration Regulations. Diversion contrary to U.S. law prohibited.

REVISIONS

REV LTR	DATE	ENG	MKTG	Q.A.
A	02/21/07 CM	AD	--	--



MAXIMUM CHARACTERISTICS

APPLICATION:
BULKHEAD MOUNT/ALUMINUM CONSTRUCTION
WEATHERPROOF WHEN INSTALLED

SURGE:
10kA IEC 61000-4-5 8/20µs WAVEFORM

FREQUENCY RANGES:
2.0GHz TO 6.0GHz

VSWR:
≤1.2 TO 1 TYPICAL (≤1.3 TO 1 MAX.)

INSERTION LOSS:
≤0.1dB TYPICAL (≤0.2dB MAX.)

RETURN LOSS:
≥20dB TYPICAL

CONTINUOUS POWER:
10W

LET THROUGH VOLTAGE:
≤±3 VOLTS FOR 3kA @ 8/20µs WAVEFORM

THROUGHPUT ENERGY:
≤0.5µJ FOR 3kA @ 8/20µs WAVEFORM


TEMPERATURE:
-40°C TO +85°C STORAGE/OPERATING

VIBRATION:
1G AT 5Hz TO 100Hz

ENVIRONMENTAL:
MEETS IEC 60529 IP65
MEETS BELLCORE #TA-NWT-000487
PROCEDURE 4.11, WIND DRIVEN (120MPH)
RAIN INTRUSION TEST

CUSTOMER APPROVAL: _____ DATE: _____

ALL DIMENSIONS SHOWN ABOVE ARE FOR REFERENCE ONLY.

DRAFTER R. DUNNING	DATE 05/16/03	 P.O. BOX 9000 MINDEN, NV 89423 TEL: 775-782-2511 FAX: 775-782-4476 DWG NO/PART NO/DESCRIPTION			
MECH ENGINEER R. DUNNING	DATE 05/16/03				
ELEC ENGINEER J. JONES	DATE 05/16/03	AL-LSXM CUSTOMER PRINT			
MARKETING S. DOTTER	DATE 05/16/03				
QUALITY DEPT L. JACQUES	DATE 05/16/03	CAGE CODE 61114	FILE NAME -C1	SCALE 1/1	SHEET 1 OF 1